

1

2

3

4

5

6

A

A

B

B

C

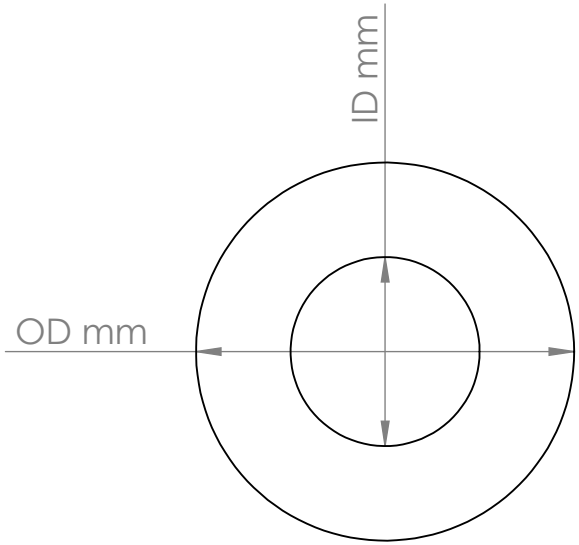
C

D

D

E

E



Silicone Tube	Dimensions (mm)
Internal Diameter (ID)	
Outer Diameter (OD)	
Material Hardness	
Customer Notes	



Checked :	Drawn : P. Roshandel	Approved :	SIZE : A4
FILE NAME : Silicone Tubing	Drawing Type :	Material : Silicone Rubber	
TITLE :	Quantity : 1	Revision : 00	Drawing No :
COMMENTS:	Weight :	Scale : Free	Version
	Projection :	Tolerance : 2768-1 (m)	Date : en 1/1

1

2

3

4

5

6